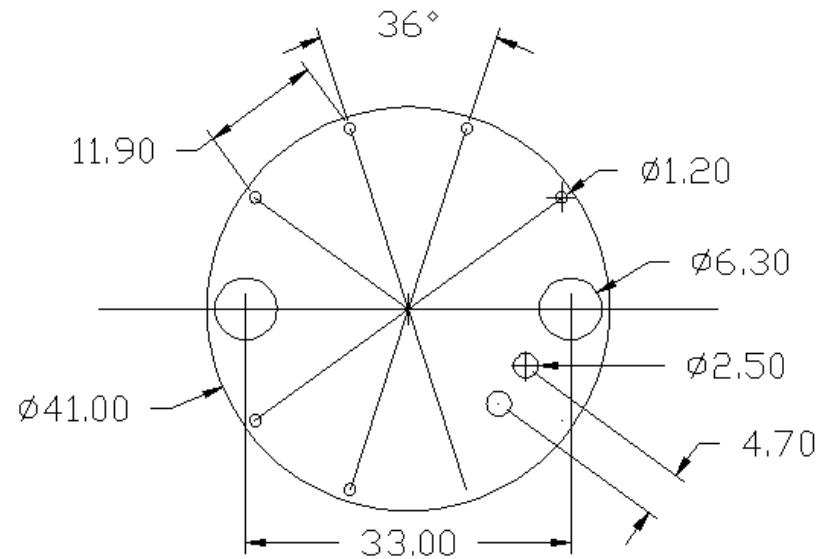


Ocean Enclosures

PCB Drawing of HMP-6 Enclosure



Ocean Enclosures

Website: www.oceanenclosures.com

Email ID: electronicenclosures@gmail.com