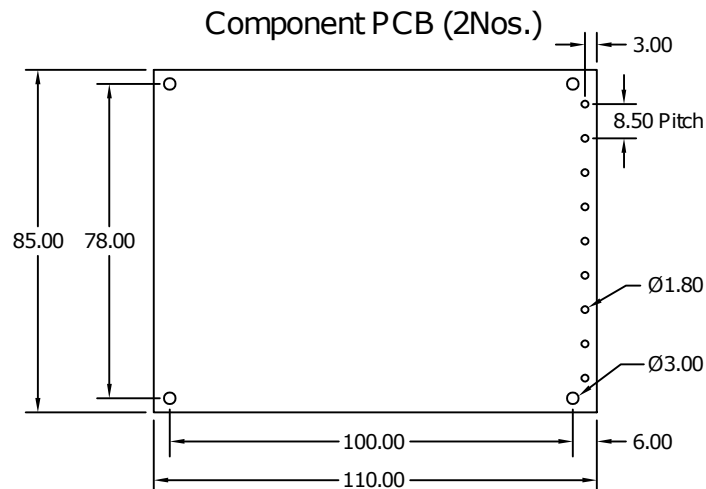
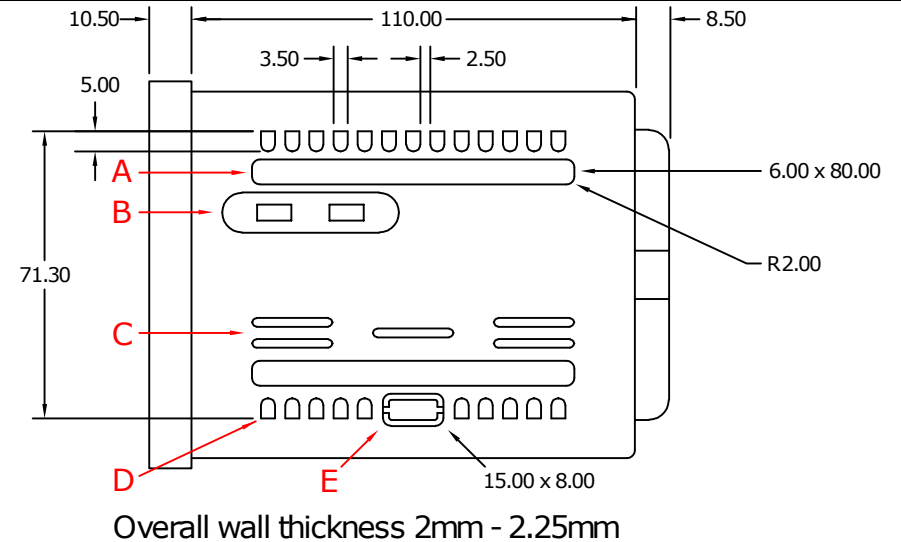
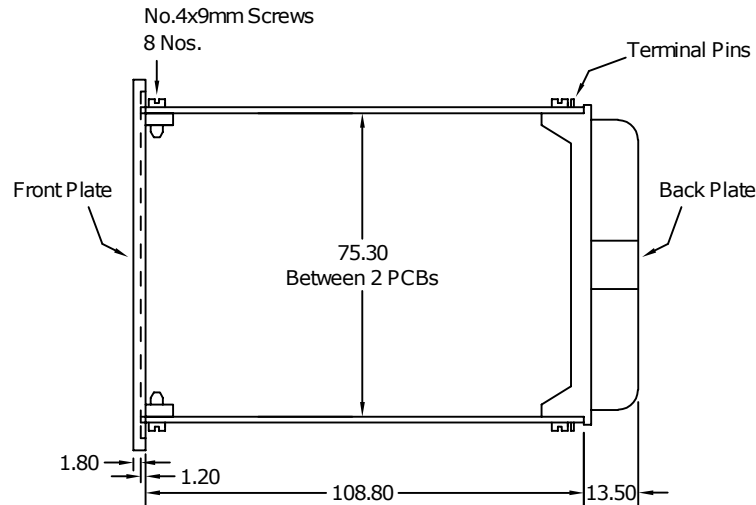


# Ocean Enclosures

## Drawing of Din Panel Enclosure 96x96x110mm (Ventila Series)



**Panel Cut-Out Size: 92mm x 92mm**

A	6mm x 80mm slots for sticker
B	Slots for panel mounting clamp
C	Air ventilation
D	Windows for components like trim pot, pre set etc.
E	Knock-out for components like USB, DIP switch, etc.